



Features

- 155° opening angle
- For use in cabinets with interior roll-outs
- Three-dimensional adjustment
- Available with INSERTA tool-free attachment (70T7503N)
- 110° angle restriction clip available (70T7503N)
- All metal hinge, nickel-plated

Minimum reveal table						
3	0	0	0	0	0	0
4	0	0	0	0	0	0
5	0	0	0	0	0	0
6	0	0	0	0	0	0
7	0	0	0	0	0	0
8	0	0	0	0	0	0
B = boring dist.	16	18	19	20	22	24

T = door thickness

Thickness greater than 24, please see page 22

CLIP top/CLIP

Overlay

Frame

Panel

Door protrusion

At 90° opening, using 0 mm plate, the door will have -2.3 mm protrusion regardless of boring distance. Use side adjustment to increase or decrease door protrusion.

NOTE: Use of 0 mm or 3 mm is recommended for zero protrusion

H	Overlay						P	S
0	14	15	16	17	18	19	-2.3	61
3	11	12	13	14	15	16	0.7	64
	3	4	5	6	7	8	Fixed distance = 11	
	B = boring distance							

Straight-arm		Self close
Screw-on		71T7500N
Press-in		71T7530N
INSERTA		71T7540N

Angle restriction clip

- Reduces opening angle to 110°
- For use with 155° hinges only
- Gray nylon

Part no.

110° restriction clip **70T7503N**

Angle restriction clip

- Reduces opening angle to 92°
- For use with 155° hinges only
- Gray nylon

Part no.

92° restriction clip **70T7503N09**

Hinge cup dimensions

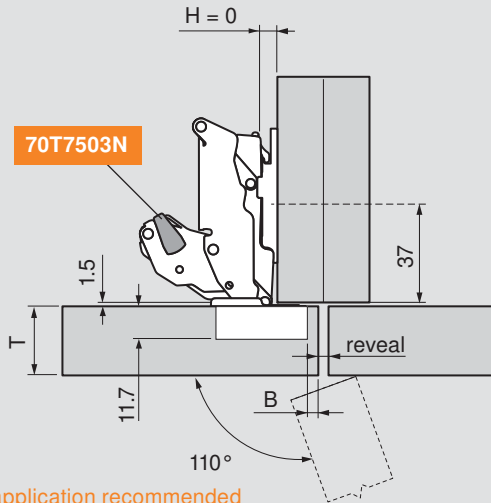
*INSERTA

Abbreviations

H	=	Plate height
P	=	Door protrusion
S	=	Side arm protrusion
T	=	Door thickness
W	=	Side panel width



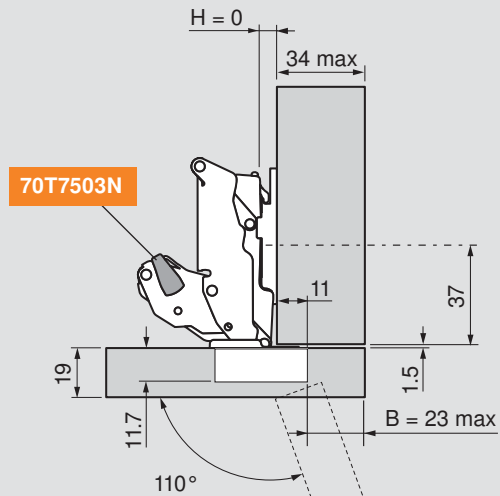
Maximum door thickness



Trial application recommended

NOTE: For thick door applications, you must bore at the specified boring distance listed in the chart below

Maximum door overlay



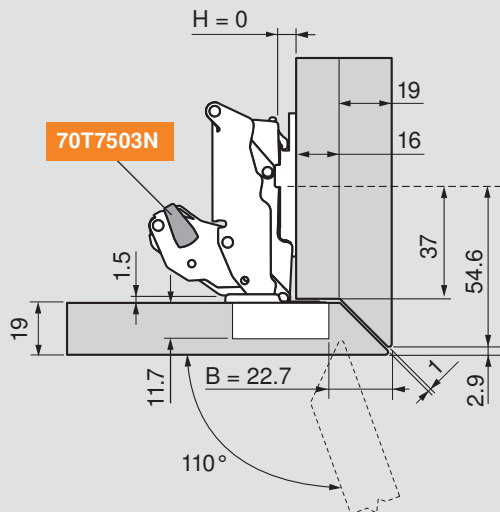
Trial application recommended

Minimum reveal	T = door thickness						
2	28	27	26	25			
	3	4	5	6	7	8	
	B = boring distance						

H	Overlay							
0	19	22	24	26	28	30	32	34
	8	11	13	15	17	19	21	23
	B = boring distance							

* Minimum reveal is 1 mm on a 25 mm thick door when bored at 8 mm

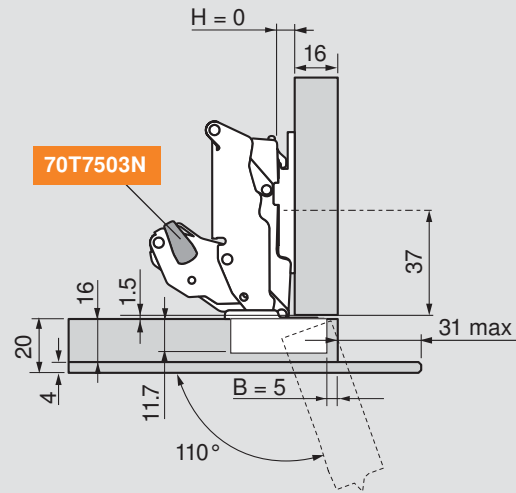
Mitered door with large overlay




Trial application recommended


NOTE: These applications can be achieved in face frame cabinets by blocking out behind the frame

Thin facings added to door

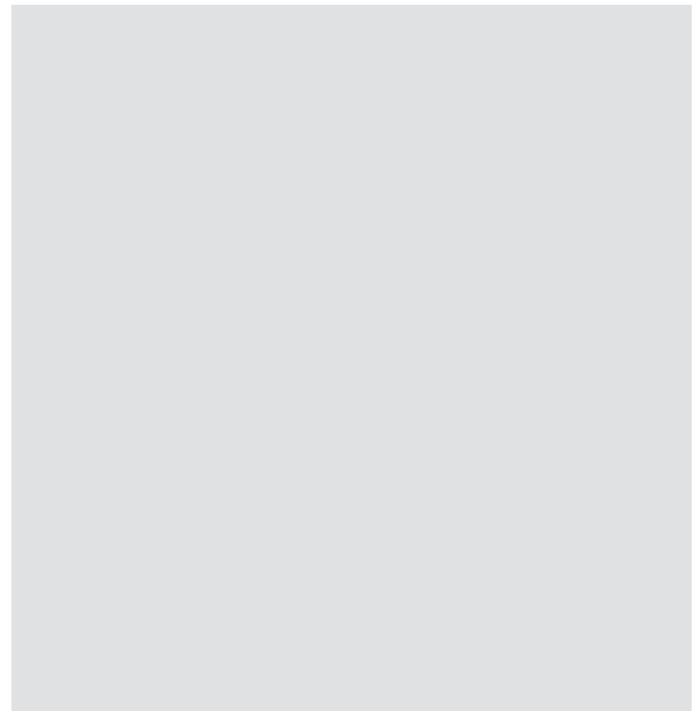
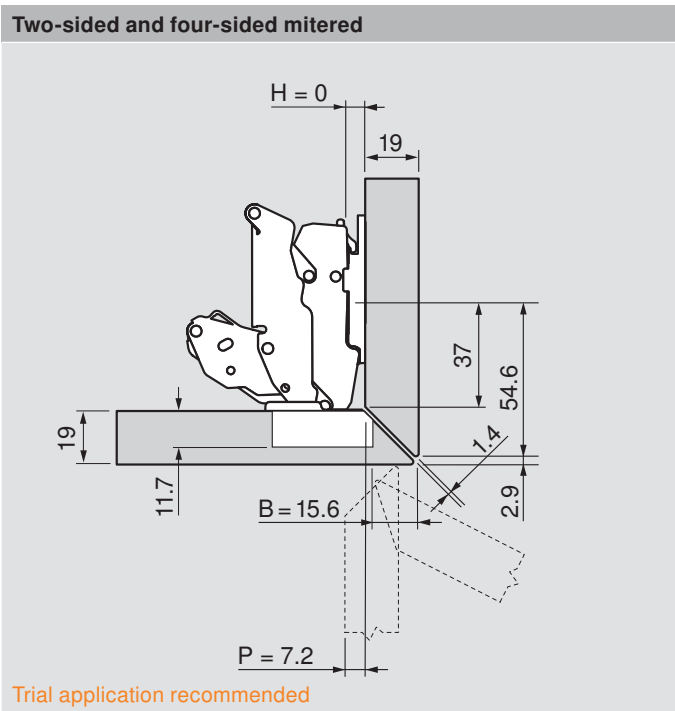
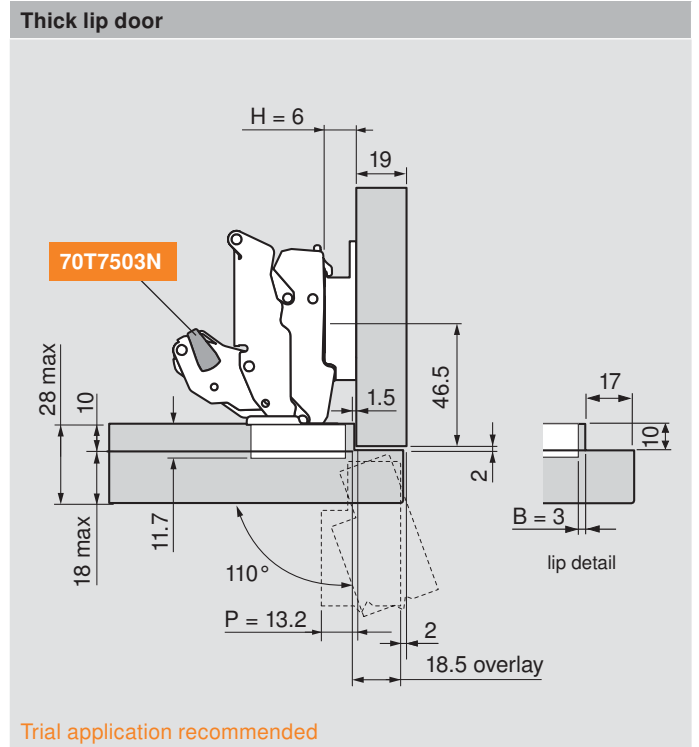
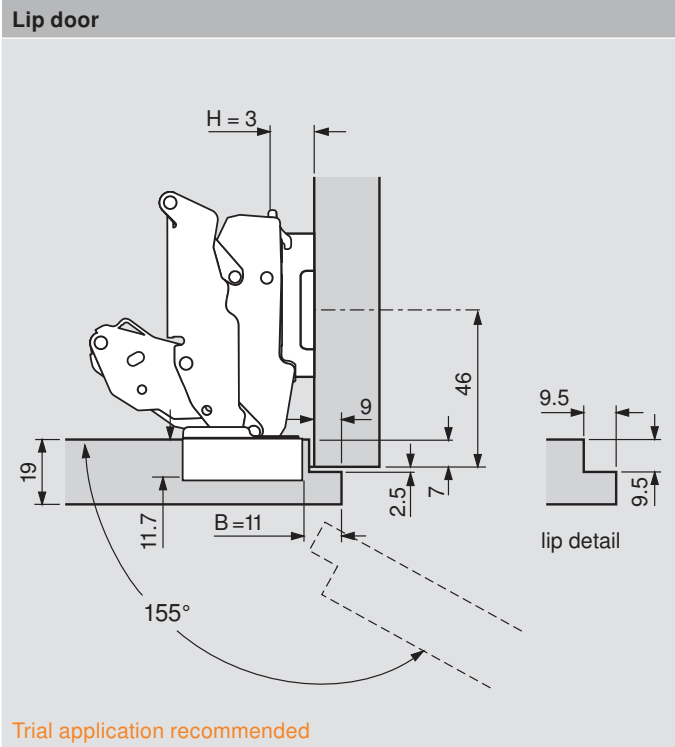


Trial application recommended

Straight-arm	Self close
Screw-on	71T7500N
Press-in 	71T7530N
INSERTA	71T7540N

Angle restriction clips	
	<ul style="list-style-type: none"> For use with 155° hinges only Gray nylon
	Part no.
110° restriction clip	70T7503N
92° restriction clip	70T7503N09

Abbreviations	
H	= Plate height
P	= Door protrusion
S	= Side arm protrusion
T	= Door thickness
W	= Side panel width



NOTE: These applications can be achieved in face frame cabinets by blocking out behind the frame

Half-cranked	Self close
Screw-on	71T7600N
INSERTA	71T7640N

Angle restriction clips	
	For use with 155° hinges only
	Gray nylon
	Part no.
110° restriction clip	70T7503N
92° restriction clip	70T7503N09

Abbreviations	
H	= Plate height
P	= Door protrusion
S	= Side arm protrusion
T	= Door thickness
W	= Side panel width